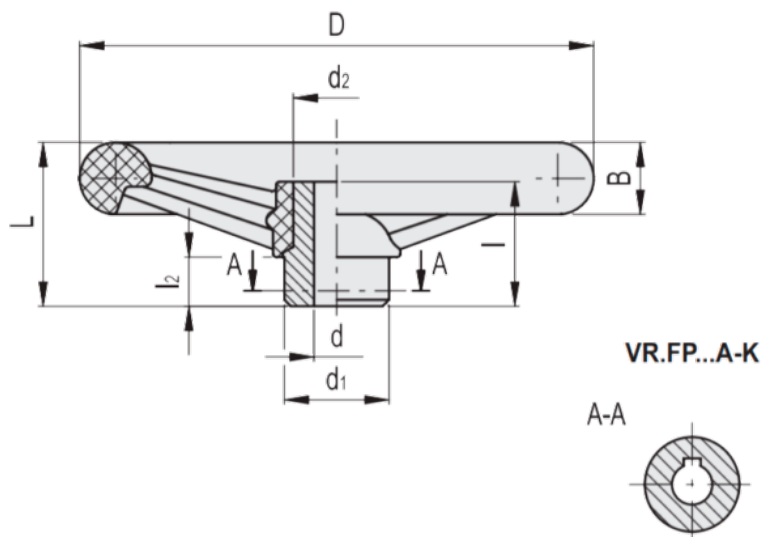


Article number: 23017711112
 Description: E+G Handwheel
 VR.100 FP-A12

Measures

VR.FP-A



B	= 14	l	= 36
b	= 5	L	= 40
C (N*m)	= 67	L (J)	= 5
D	= 98	l2	= 12
d1	= d3	t	= 15.3
d2	= 20		
d'	= 16		
d\"	= 13		